

INDUSTRIAL - SOLVENT PARTS CLEANER

OPERATION & INSTRUCTION MANUAL

CM150

115V ELECTRIC

I. Introduction

A. Manufacturer's Statement

This manual will provide you with important information about the Solvent Parts Cleaners and will instruct you on how to use this equipment in a safe manner.

The information contained in this manual is necessary for the safe, proper setup and operation of your Solvent Parts Cleaner.

Keep this manual, along with the Material Safety Data Sheets (MSDS) for the solvent in use, within easy reach of the operator of this parts cleaner.

The equipment described in this manual is subject to change. The manufacturer reserves the right to change equipment at any time as part of normal product improvement. Some improvements may have been made after this manual was printed. For the latest information on your equipment, contact the manufacturer.

B. General Information



**READ AND UNDERSTAND ALL LABELS, MSDS, AND
THIS INSTRUCTION MANUAL BEFORE USE.**

The Industrial Solvent Parts Cleaner is an economical, safe, and innovative system designed to clean parts, using a mineral spirits based solvent. Solvents, when used to clean grease and oil, must be disposed of properly. Consult your local environmental management agency for additional guidance and other potentially hazardous materials compliance requirements.

Install your parts cleaner on a flat, level surface in an area provided with adequate ventilation. Avoid repeated or prolonged breathing of vapors. Do **NOT** use compressed air to dry parts as this may cause a high concentration of vapors in the immediate area. Local exhaust ventilation should be used in areas of high vapor concentration. Provisions for determining and maintaining adequate ventilation are the responsibility of the operator.

Make sure the parts cleaner is connected to a properly grounded power source. Check serial plate for power requirements.

Do **NOT** allow the parts cleaner to operate unattended.

II. Safety Instructions and Information

Complete safety in use is dependent upon proper use and handling of the parts cleaner in your workplace.

It is important that you follow the instructions provided in this manual. If you fail to read, understand, and follow all of the procedures in this manual, you may cause or suffer personal injury.

DO NOT OPERATE ELECTRICAL EQUIPMENT INSIDE OF PARTS CLEANER.



USE ONLY MINERAL SPIRITS BASED SOLVENTS DO NOT USE WATER-BASED CLEANING SOLUTIONS

This equipment is designed for use only with mineral spirits based solvents (stoddard solvent) with a flash point greater than 40°C (104°F). Do **NOT** add any other chemicals to the cleaning agent including, but not limited to, kerosene, fuel oil, gasoline, chlorinated solvents, brake cleaner, or detergents. The use of any other solvents could potentially cause a hazardous condition.

Avoid contact with eyes or skin. Wear protective eyewear, gloves, and clothing.

Operation should be conducted in a manner, which prevents splashing, or spillage. Any solvent spills should be promptly and properly cleaned up. Soak up all spills with absorbent material. Remove and dispose of all soaked material in accordance with regulatory requirements.

This unit is **NOT** intended for outdoor operation.

Do **NOT** leave solvent-soaked rags in parts cleaner or in uncovered containers.

Do **NOT** obstruct the cover. It is designed to close automatically in the event of a fire. The safety link and cover closing mechanism must be intact. Do **NOT** substitute with any other type of cover positioning device. Do **NOT** leave large objects in the parts cleaner or hang anything on the cover that could prevent the cover from closing in the event of a fire.

Do **NOT** place heavy objects on edges or front of sink. Although this parts cleaner is designed to be stable, uneven weight distribution could cause a hazardous condition, over which the manufacturer has no control.

Do **NOT** contaminate cleaning solvents with gasoline, alcohol or flammable liquids.

When cleaning carburetors or other fuel supplying components: remove all gasoline into a proper disposal container before placing the component into the parts cleaner. Gasoline has a lower flash point than mineral spirits solvent. If gasoline is added, the flash point of the solvent may be lowered.

Do **NOT** spray aerosols into or around this machine. Install the equipment in an area away from heat, sparks, and open flame. Never put hot parts into the solvent.

Do **NOT** use compressed air to dry parts. Be sure parts, especially brake parts, are completely dry prior to reassembly.

Turn unit "OFF" and close lid when equipment is not in use. This will reduce solvent loss due to evaporation.

A. Important Safety Instructions

1. Read all instructions.
2. Care must be taken as burns can occur from touching hot parts.
3. Do not operate equipment with a damaged cord or if the equipment has been dropped or damaged – until it has been examined by a qualified service person.
4. If an extension cord is necessary, a cord with a current rating equal to or more than that of the equipment should be used. Cords rated for less current than the equipment may overheat. Care should be taken to arrange the cord so that it will not be tripped over or pulled.
5. Always unplug equipment from electrical outlet when not in use. Never use the cord to pull the plug from the outlet. Grasp plug and pull to disconnect.
6. To reduce the risk of fire, do **NOT** operate equipment in the vicinity of open containers of flammable liquids (gasoline).
7. To reduce the risk of electric shock, do **NOT** use on wet surfaces or expose to rain.
8. Use only as described in this manual. Use only manufacturer's recommended attachments.
9. **ALWAYS WEAR SAFETY GLASSES.** Everyday eyeglasses only have impact resistant lenses, they are not safety glasses.
10. Do **NOT** operate any electrical equipment inside sink or vat.
11. Do **NOT** use light bulbs rated over 40 watts.
12. Do **NOT** smoke, eat or drink in the work area.
13. Do **NOT** modify these machines.
14. Do **NOT** operate this unit in any manner that will cause splashing or cause mist to form.
15. Use only mineral spirits based solvent (stoddard solvent).
16. Adjust flexible nozzle or flow-thru brush so solvent is directed to inside the sink only.
17. On the Control box, set the breaker switches to **OFF** before plugging in unit.
18. In any emergency, turn off the unit.
19. These parts washers employ a safety feature called a fusible link that holds the cover open during use. Do **NOT** modify, alter, or obstruct the operation of the fusible link.
20. Keep cover closed whenever unit is not in use.
21. Do **NOT** remove fluid from this equipment or it may cause malfunction or unsafe conditions.

SAVE THESE INSTRUCTIONS

B. Service

Call your representative should your parts cleaner need service and always unplug unit when servicing.

Inspect and keep in good working order the power cord and all electrical components. If components show signs of damage or wear replace immediately. All work should be done by a trained technician.

Do **NOT** replace pump before unplugging unit and letting it completely cool down.

Do **NOT** replace fusible link with any other device to hold lid up. If fusible link should fail, for any reason, call your representative immediately.

C. Fire

This equipment is designed for use only with mineral spirits based solvents (stoddard solvent) with a flash point greater than 40°C (104°F). Do **NOT** add any other chemicals to the cleaning agent including, but not limited to, kerosene, fuel oil, gasoline, chlorinated solvents, brake cleaner, or detergents. The use of any other solvents could potentially cause a hazardous condition.

Under certain conditions the solvent could burn. For your protection, a fusible link automatically closes the cover of the parts cleaner in the event that a fire occurs in the sink work area. The closed cover contains and smothers the fire inside the metal sink. Do **NOT** leave large objects in the parts cleaner or hang anything on the cover that could prevent it from closing in the event of a fire. Do **NOT** replace fusible link with any other device to hold cover up.

IN CASE OF FIRE: Use a Type ABC or Type BC fire extinguisher. Do **NOT** use water. Contact your local fire department.

IN AN EMERGENCY, UNPLUG THE ELECTRICAL SUPPLY TO THE UNIT.

D. First Aid (Medical instructions)

Please note that these First Aid Precautions are for uncontaminated cleaning solvents only. Once the solvent has been contaminated (i.e. with oil, grease, antifreeze, etc.), safety precautions should be adjusted according to the type of contaminant.

1. **EYES:** Contact may cause slight to moderate irritation. **For direct contact, flush eyes with water for 10-15 minutes or until the material has been removed; be sure to remove contact lenses, if present, and to lift the upper and lower lids during rinsing. If irritation from vapors or mists develops, move victim into fresh air. Get medical attention if irritation persists.**
2. **SKIN:** Prolonged or repeated contact tends to remove skin oils, possibly leading to dermatitis. **Wash skin with soap and water. Remove contaminated clothing, rinse shoes and launder clothing before reuse. If irritation or pain develops or persists, seek medical attention.**
3. **INHALATION (Breathing):** Prolonged exposure to concentrate-mist or vapor may cause mild irritation of nasal passages or throat and may have other central nervous system effects. **Remove to fresh air immediately. Do not leave victim unattended. Get medical attention if irritation persists.**

4. **INGESTION (Swallowing):** (Uncontaminated cleaning solvent) **Drink 4 to 8 ounces of water and seek medical attention. DO NOT** induce vomiting.

E. Environmental

1. **Avoid spilling solvent.** Spilled solvent can create slippery conditions, clean it up immediately. Close off area to traffic. Wear appropriate personal protective equipment to prevent eye and skin contact. Consult the Material Safety Data Sheet for instructions on clean up and disposal.
2. **Contain leaks promptly.** Notify local environmental authorities if necessary.
3. **Solvents, when used to clean grease and oil, must be disposed of properly. Consult your local environmental management agency for additional guidance and other potentially hazardous materials compliance requirements.**
4. **Do NOT remove devices designed to reduce solvent evaporation except to process work or to perform maintenance.**
5. **For further information consult the Material Safety Data Sheet provided by the solvent supplier.**

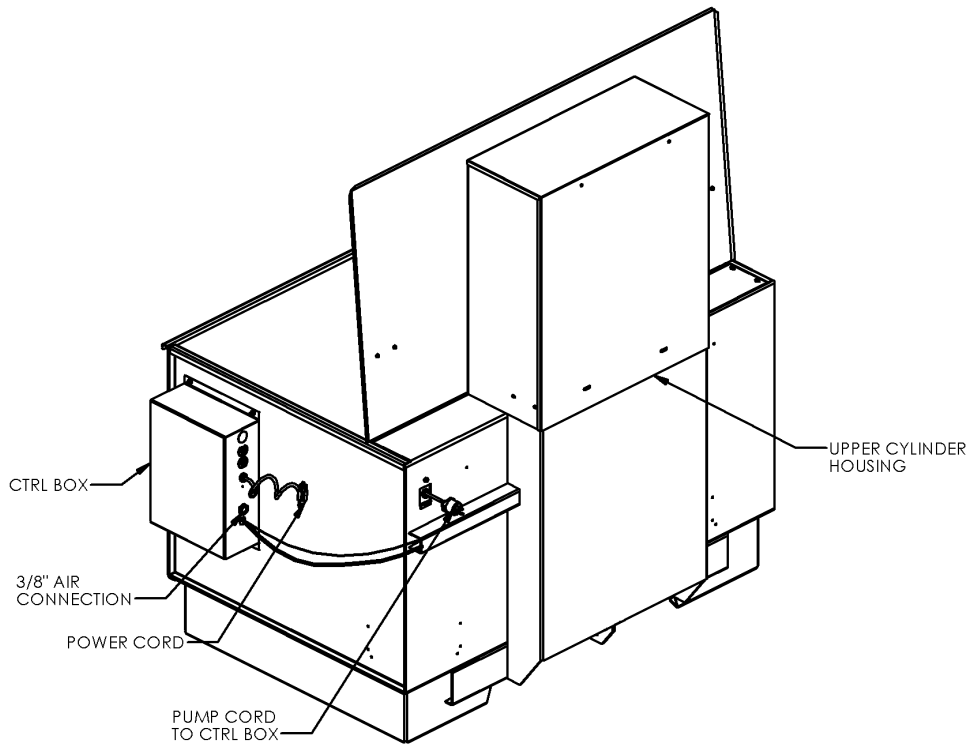
III. Installation

1. Inspect the unit closely for damage. If damage is apparent report it immediately to the delivering carrier.
2. Install the parts cleaner on a flat, level surface in a well-ventilated area.
3. Remove the parts packed inside the machine and inspect for damage.
4. Mount the upper cylinder housing on the machine using the six (6) ¼-20 machine screws supplied with the housing. **CAUTION:** Start the screws using your fingers so you do not strip out the rivnut.
5. Connect a 3/8" MPT air line capable of delivering a minimum of 25 cfm @120 psig to the regulator on the back of the box. The regulator is nonadjustable, preset at 120 psi.
6. Fill the reservoir to the correct level with mineral spirits based solvents with a flash point greater than 40°C (104°F).

Capacity = 150 US Gal Maximum / 86 Gal. Minimum

7. Plug the power cord into a properly grounded power source. A ground fault circuit interrupter protected outlet is preferred. Check serial plate for power requirements.

Power requirements: 115 Volt, 60 Hz



IV. Operating Instructions

A. LOADING (Requires the platform to be in the “UP” position).

1. Open the lid.
2. Turn the “PLATFORM CONTROL VALVE” to the “UP” position.
3. When the platform is in its upper-most position, place load on the shelf.
DO NOT EXCEED 750 LBS!
DO NOT DROP PARTS ON PLATFORM!

B. AGITATION – OPERATION

1. Turn the “PLATFORM CONTROL VALVE” to the “AGITATE” position. When the platform reaches the bottom position it will begin agitating.
2. To adjust the agitation speed, turn the “PLATFORM SPEED CONTROL” knob counter-clock wise to increase and clock wise to decrease the speed. Note: The speed control has a locking feature, if it will not turn, pull up on the knob.
3. To reduce evaporation close the lid while the parts are agitating.

C. SOAKING – OPERATION

1. Turn the “PLATFORM SPEED CONTROL” knob to decrease the speed so the platform does not drop to fast and splash fluid.
2. Turn the “PLATFORM CONTROL VALVE” to the “DOWN” position.

3. Close the lid to reduce evaporation while the parts are soaking.

D. UNLOADING – OPERATION

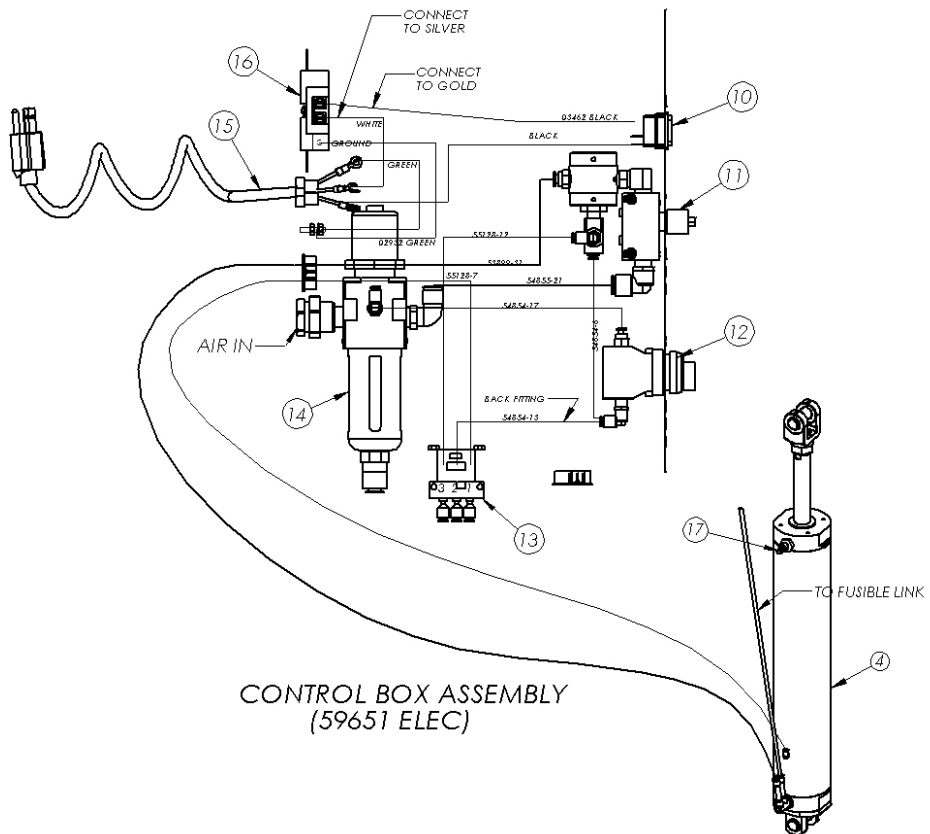
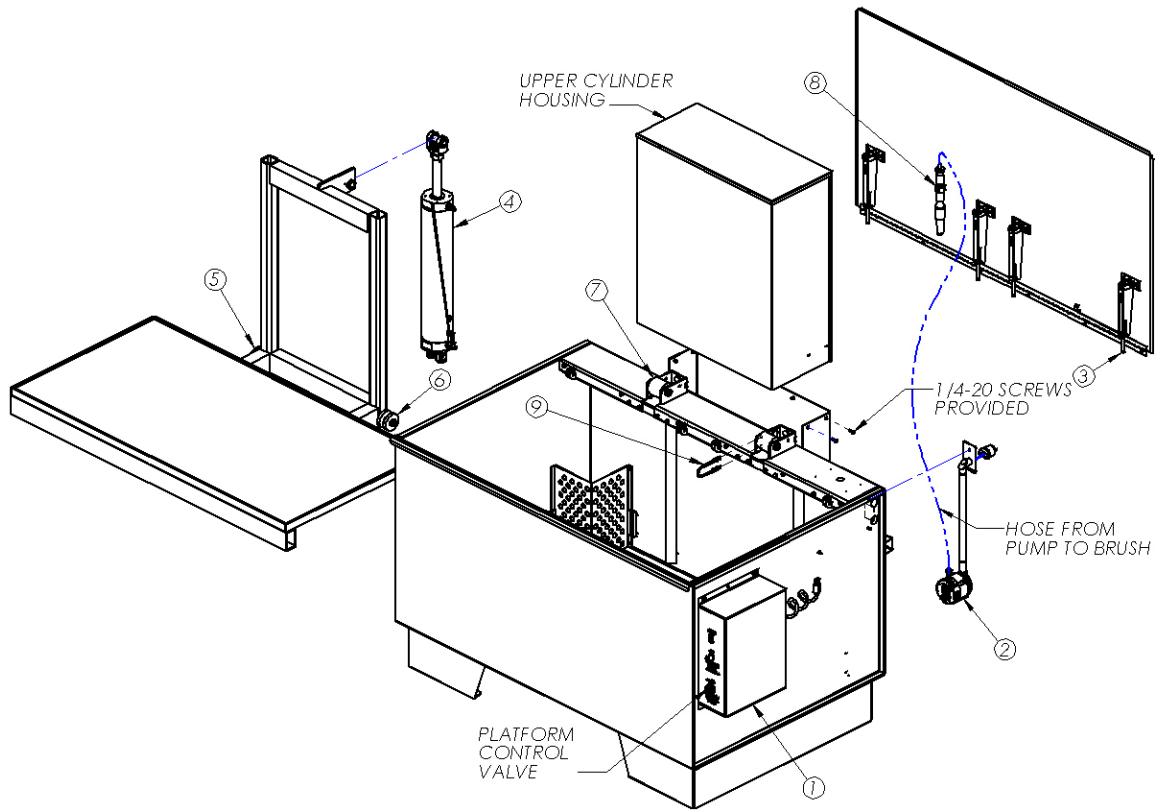
1. Open the lid.
2. Turn the “PLATFORM CONTROL VALVE” to the “UP” position.
3. When the platform is in its upper-most position, allow parts to drain and remove from the shelf.

E. MANUAL PARTS CLEANING – OPERATION

1. Open the lid.
2. Turn the “PLATFORM CONTROL VALVE” to the “UP” position.
3. Turn the pump switch to the “ON” position.
4. Manually clean the parts using the brush.
5. Turn the pump switch to the “OFF” position.
6. Place brush in the brush holder.
7. Unload parts or continue to clean in the agitation operation

V. Parts Breakdown

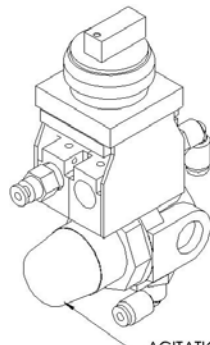
ITEM	PART NO	DESCRIPTION
1	59651	CONTROL BOX ASSEMBLY
2	59659	PUMP ASSEMBLY
3	55449	DOOR CLOSURE
4	02145	CYLINDER
5	02131	ROLLER, LH
6	02132	ROLLER, RH
7	3179	ROLLER, UPPER
8	8169	BRUSH
9	57148	FUSIBLE LINK
10	01122	SWITCH
11	59089	SPEED CONTROL ASSEMBLY
12	59756	3 POS SWITCH ASSEMBLY
13	56968	NOT VALVE ASSEMBLY
14	59088	FILTER/REGULATOR ASSEMBLY
15	59656	POWER CORD
16	01132	DUPLEX RECEPTACLE
17	01011	SPEED CTRL



NOTICE:

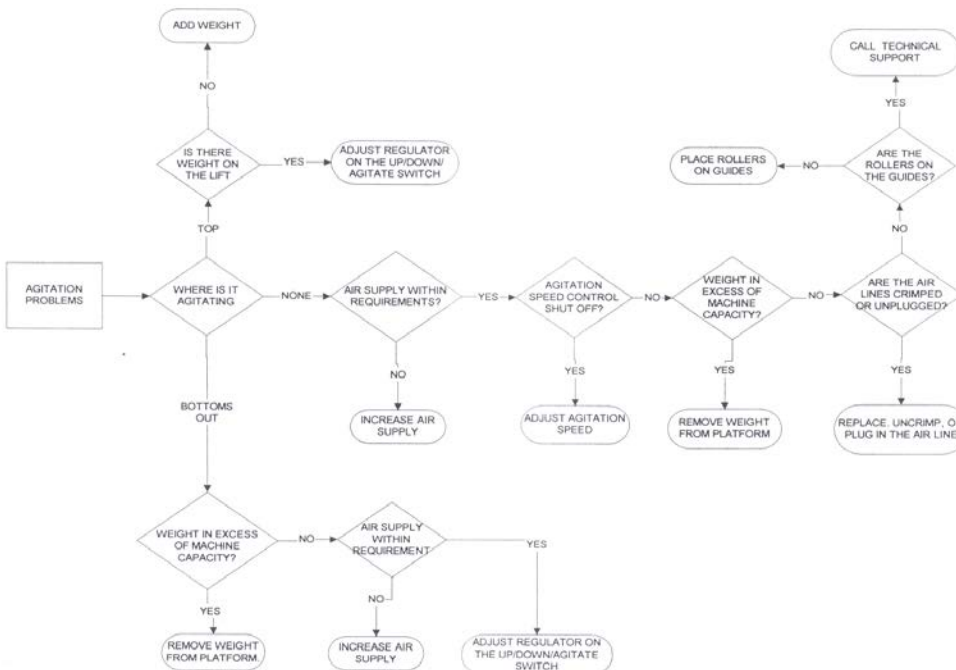
THIS MACHINE IS PRE-SET AT THE FACTORY TO OPERATE WITH A MINIMUM OF 100 LBS ON THE AGITATION PLATFORM. IF YOU INTEND TO OPERATE THE MACHINE WITH LOADS LESS THAN 100 LBS, YOU WILL NEED TO LOWER THE PRESSURE SETTING ON THE AGITATION REGULATOR IN THE CONTROL PANEL.

1. PLACE A TYPICAL LOAD ON THE PLATFORM.
2. TURN THE SELECTOR SWITCH TO AGITATE.
3. PULL OUT ON THE ADJUSTMENT KNOB ON THE AGITATION REGULATOR.
4. ROTATE THE AGITATION REGULATOR ADJUSTMENT KNOB COUNTER-CLOCKWISE UNTIL THE LIFT BEGINS TO AGITATE.
5. PUSH IN THE ADJUSTMENT KNOB ON THE AGITATION REGULATOR TO LOCK THE SETTING.



AGITATION
REGULATOR
ADJUSTMENT
KNOB

AGITATION TROUBLESHOOTING



10/5/01

01817/01899/02298/02104/8827/01825/01867/01933

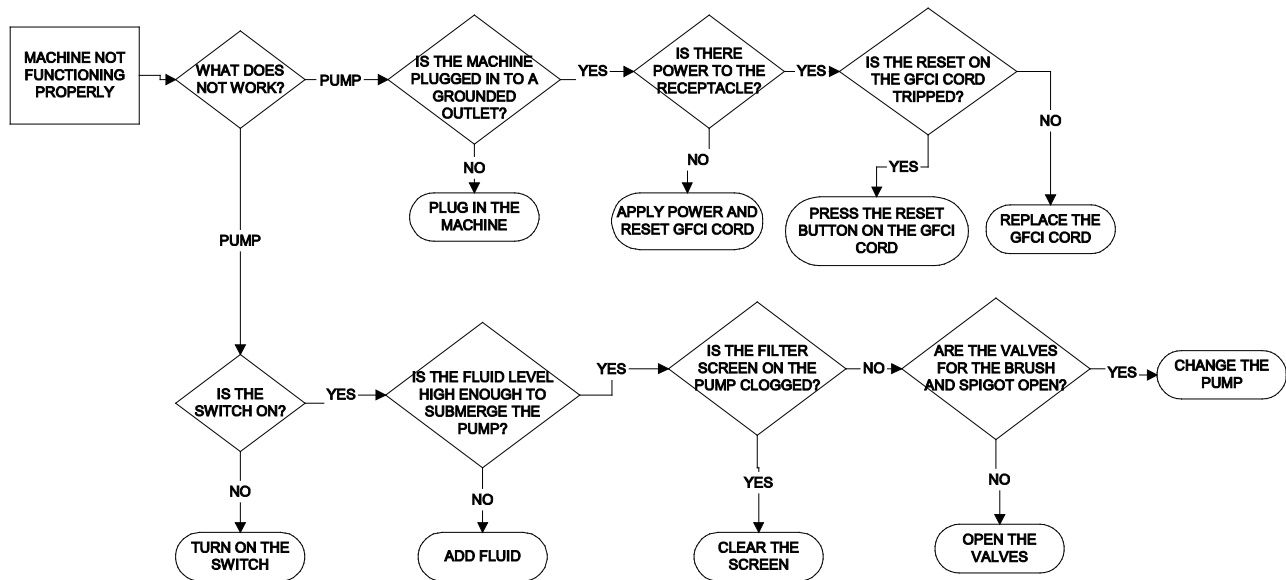
VI. TROUBLESHOOTING

A. Machine does not operate:

1. Make sure the parts cleaner is connected to electric power or air supply.
2. Check for incoming power. Check serial plate for power requirements.
3. On electric units: check reset button on GFCI cord to make sure it is not tripped. On air units: an increase in air supply may be required.

B. Little or no fluid flow through the flow-thru brush:

1. Turn pump switch "ON" or increase air pressure.
2. Check the fluid level in the tank.
3. Check pump intake for obstructions.



LIMITED WARRANTY AND LIMITATION OF REMEDIES AND DISCLAIMER. (1) Fountain Industries "Fountain" warrants the Equipment to be free from defects in material and manufacture and to conform to specifications for the Equipment at the time of shipment. This warranty is applicable only if the Equipment is installed, operated and maintained in accordance with factory recommendations and procedures. If any Equipment fails to conform to the specifications or samples or any defect in material or manufacture appears within twelve (12) months from the date of initial purchase by end user Fountain's entire liability, and Customer's exclusive remedy, shall be, to either repair or replace such defective Equipment, at Fountain's option, within a reasonable time after written notification thereof and return of the defective Equipment to Fountain.

(2) THIS WARRANTY IS MADE IN LIEU OF ALL OTHER WARRANTIES, EXPRESS OR IMPLIED, INCLUDING, BUT NOT LIMITED TO, THE IMPLIED WARRANTY OF MERCHANTABILITY, THE IMPLIED WARRANTY OF FITNESS FOR A PARTICULAR PURPOSE, ANY IMPLIED WARRANTY ARISING OUT OF COURSE OF DEALING OR OF PERFORMANCE, CUSTOM OR USAGE OF TRADE EXCEPT OF TITLE AND AGAINST PATENT INFRINGEMENT.

(3) LIMITATION OF LIABILITIES; TIME LIMIT FOR FILING ACTION. NEITHER PARTY SHALL UNDER ANY CIRCUMSTANCES BE LIABLE TO EACH OTHER FOR DAMAGES OF ANY KIND, INCLUDING, WITHOUT LIMITATION, DIRECT, INDIRECT, INCIDENTAL, SPECIAL OR CONSEQUENTIAL DAMAGES (INCLUDING, BUT NOT LIMITED TO, LOSS OF PROFITS, REVENUE OR BUSINESS) RESULTING FROM OR IN ANY WAY RELATED TO THE EQUIPMENT, ANY OF CUSTOMER'S PURCHASE ORDERS, THESE TERMS AND CONDITIONS OR THE TERMINATION OR NONRENEWAL THEREOF.

FOUNTAIN'S LIABILITY ON ANY CLAIM OF ANY KIND (INCLUDING NEGLIGENCE) FOR ANY LOSS OR DAMAGE ARISING OUT OF OR RESULTING FROM THIS AGREEMENT, OR FROM THE PERFORMANCE OR BREACH THEREOF, OR FROM THE EQUIPMENT FURNISHED HEREUNDER SHALL IN NO CASE EXCEED THE PRICE OF THE SPECIFIC EQUIPMENT WHICH GIVES RISE TO THE CLAIM. ALL SUCH LIABILITY SHALL TERMINATE UPON THE EXPIRATION OF THE WARRANTY PERIOD AS STATED HEREIN.

This limitation applies regardless of whether such damages are sought based on breach of contract, negligence, strict liability in tort or any other legal theory.

(4) Any action for breach of warranty or any other obligation under these Terms and Conditions must be commenced within one year from the purported date of breach.

(5) Each limitation on liability or remedy set forth in these Terms and Conditions is independent of any other limitation or if they are otherwise held to be unenforceable, that shall not affect the validity of any other such limitation or remedy.

Fountain assumes no liability for any claims for injury or damages to persons or property arising from any chemical manufactured by Customers or by third party vendors for use in Fountain's equipment.

Terms or conditions contained in any Customer purchase order or similar document that in any manner purport to alter, modify, change, or suspend these terms shall be deemed excluded from such purchase order and waived by the Customer.

This limited warranty does not cover or include consumable/wearable associated with such equipment.

Fountain assumes no liability for any unauthorized modifications carried out to the equipment not strictly recommended by the factory procedures.

This limited warranty is not transferable, and does not cover general equipment maintenance, demonstration, installation, routine servicing, calibration or customization of the equipment.

No person is authorized to alter or extend this limited warranty unless made in writing and signed by an authorized officer of Fountain.



Fountain Industries LLC
922 East 14th St.
Albert Lea, MN 56007

Tel: 800-328-3594
507-373-2351
Fax: 507-373-7404

Email: CUSTSERV@FOUNTAININDUSTRIES.COM
WWW.FOUNTAININDUSTRIES.COM